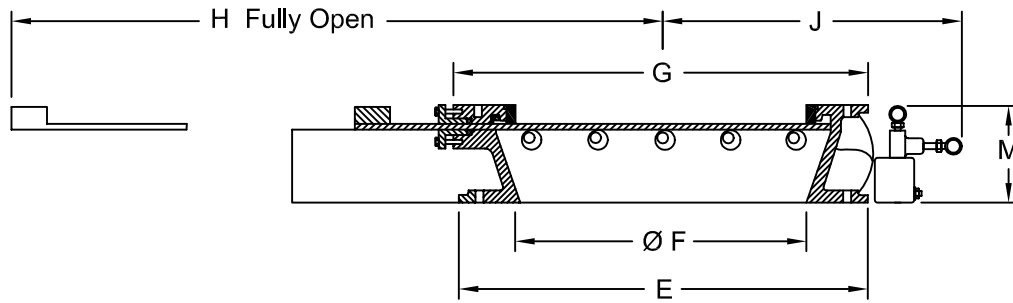
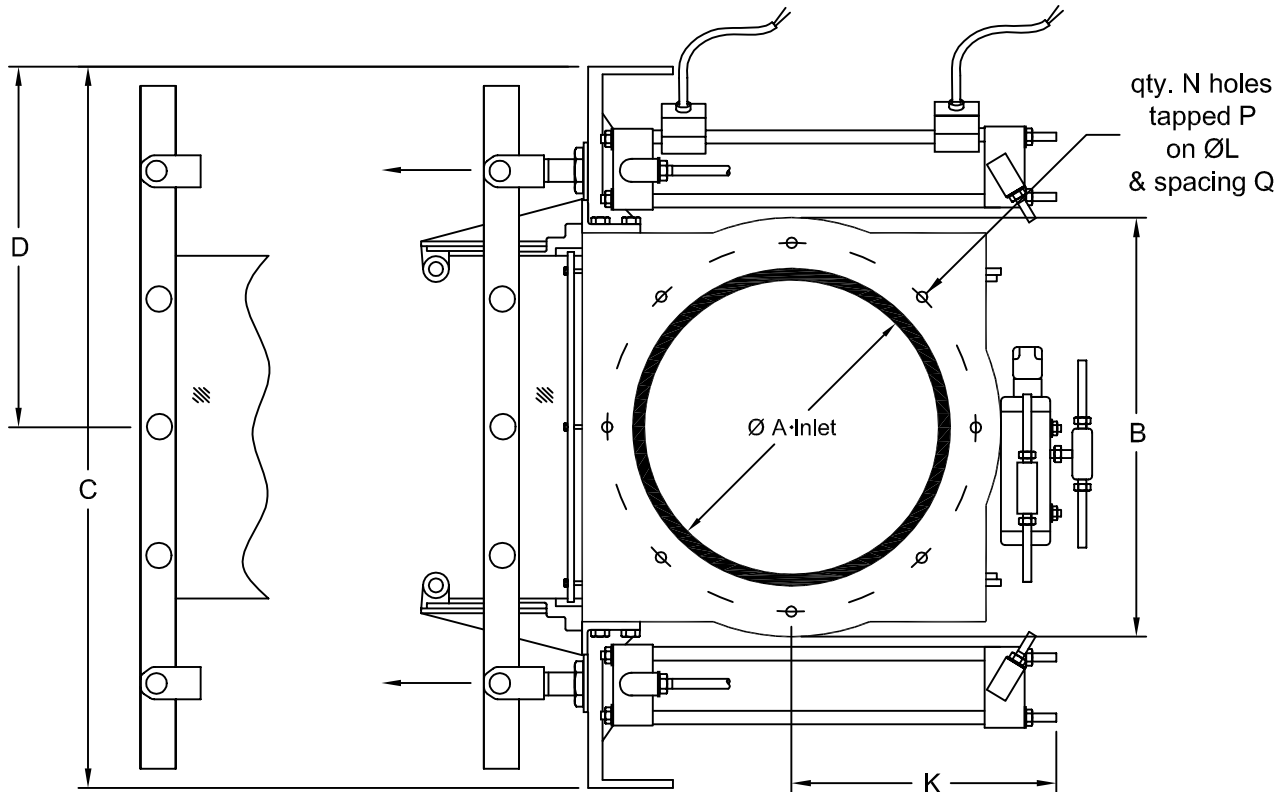


Compact "SBT" SLIDE GATE with twin piston actuation



Dimensions are approximate and subject to change without notice.

Model	A	B	C	D	E	F	G	H	J	K	L	M	N	P	Q	Weight
SB15T	6	10-5/8	20-3/4	10-3/8	10-5/8	6	10-5/8	15	8-3/4	6-7/8	9	3-1/2	8	3/8	45° on centers	42
SB20T	8	12-5/8	22-5/8	11-3/8	12-5/8	8	12-5/8	18	9-3/4	7-7/8	11	3-1/2	8	3/8	45° on centers	44
SB25T	10	15-5/8	24-5/8	12-3/8	14-5/8	10	14-5/8	21	10-3/4	8-7/8	13	3-1/2	8	3/8	45° on centers	57
SB30T	12	15-1/2	26-5/8	13-3/8	16-1/2	12	16-1/2	24	11-5/8	9-7/8	15	3-1/2	8	3/8	45° on centers	57
SB35T	14	21	29-3/8	14-5/8	21	14	21	30-1/2	12-3/4	8-7/8	18-3/4	4	12	1/2	30° off centers	66
SB40T	16	23-1/2	35-1/2	17-3/4	23-1/2	16	23-1/2	35-5/8	14	8-7/8	21-1/4	4	16	1/2	22.5° off centers	75

Copyright 1998 Bush & Wilton, Inc. - All Rights Reserved

weights are for aluminum - iron & stainless are 2X the weight shown

BUSH & WILTON, INC.

P.O. Box 691385 | Charlotte, NC 28227- 7024

Tel: 704.573.6858 | Fax: 704.573.6802

mail@bushandwilton.com

http://www.bushandwilton.com